



VRF Outdoor Units



**Solar Series
Mini & Modular**



**Ultra Heating
Mini & Modular**



**Heat Recovery
Modular**

FEATURES & SPECIFICATIONS

YMGi Group

601 Arrow Ln, O'Fallon, MO 63366 • info@ymgigroup.com • ymgigroup.com • 866-833-3138



YMGI's Mission

To help build a sustainable and efficient green world.

YMGI's Commitment

YMGI is dedicated to designing, manufacturing and distributing the highest quality, energy saving and environmentally friendly air conditioner and heat pump products available on the market, while providing the best service and support to each of our customers.

Efficient, Reliable and Stylish

YMGI products quickly and quietly cool and heat your home, and business in the most efficient way possible. Both the indoor and outdoor units have a sleek contemporary style and color.

Quality Products

YMGI products are engineered and built with high quality parts that are designed for reliability and longevity. We stand behind our products and will work tirelessly to make sure you are completely satisfied with your system.



Solar Series Heat Pump - Mini & Modular

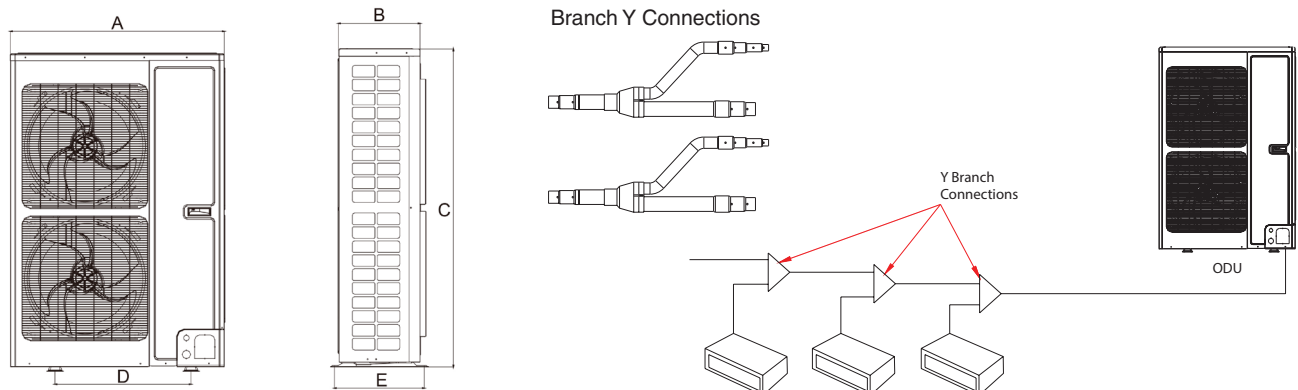


A VRF SYSTEM POWERED BY THE SUN

YMG's Solar Series VRF systems are designed to be the most efficient heating and cooling systems on the market today. Available with Photo Voltaic Solar Panel Arrays from 5-25 panels, YMG's Solar Series systems will save you money, and are the most efficient, environmentally friendly way to heat and cool.

Solar Series Heat Pump - Mini

Model	Unit	VRFO-36HP-S2B(55)5	VRFO-48HP-S2B(55)5
Cooling Capacity	Btu/h / kW	36,000 / 10.6	48,000 / 14
Heating Capacity	Btu/h / kW	45,000 / 13.2	54,000 / 15.8
Air flow volume	CFM	3531	3884
Heating Capacities at Different OD Ambient Temperatures	47 ° F	100% / 45,000	100% / 54,000
	17 ° F	100% / 45,000	100% / 54,000
	-4 ° F	100% / 45,000	100% / 54,000
	-22 ° F	80% / 36,000	80% / 43,200
Sound Pressure Level	dB	53	54
Power Supply	V/Ø/Hz	208~230/1/60	208~230/1/60
Rated Input	kW	3.3	4.4
MCA	A	35	35
MOP	A	60	60
Liquid pipe	mm	9.52	9.52
	inch	3/8	3/8
Gas Pipe	mm	15.9	15.9
	inch	5/8	5/8
Connection Method	-	Flare Connection	Flare Connection
Refrigerant	-	R410A	R410A
Compressor Manufacturer	-	GREE	GREE
Compressor Type	-	Two-stage Variable Frequency Rotary	Two-stage Variable Frequency Rotary
Compressor Quantity	No.	1	1
Motor Type	-	INVERTER	INVERTER
Fan Quantity	-	2	2
SEER (Ducted/Ductless IDUs)	-	20/16	20/16
Capacity Adjustment Range	%~%	15~100	15~100
Maximum drive IDU NO.	unit	5	7
Max. Equivalent Connection Pipe Length	feet	393.7	393.7
Condenser Fin Color	-	Golden	Golden
Cooling Operation Ambient Temperature Range	° F	23 ~ 118	23 ~ 118
Heating Operation Ambient Temperature Range	° F	-22 ~ 80.6	-22 ~ 80.6
Refrigerant Charge	oz	229.3	229.3
Unit Dimensions (WxHxD)	mm	983 x 443 x 1395	983 x 443 x 1395
	inch	38 3/4 x 17 1/2 x 54 7/8	38 3/4 x 17 1/2 x 54 7/8
Net Weight	kg	146	146
	lbs	321.9	321.9
Low Ambient Cooling Function	-	YES	YES
Base Pan Heater	-	YES	YES
Maximum Number of IDU	Untis	5	7
Recommended Solar Panels 300w	Pcs.	10-12	13-16

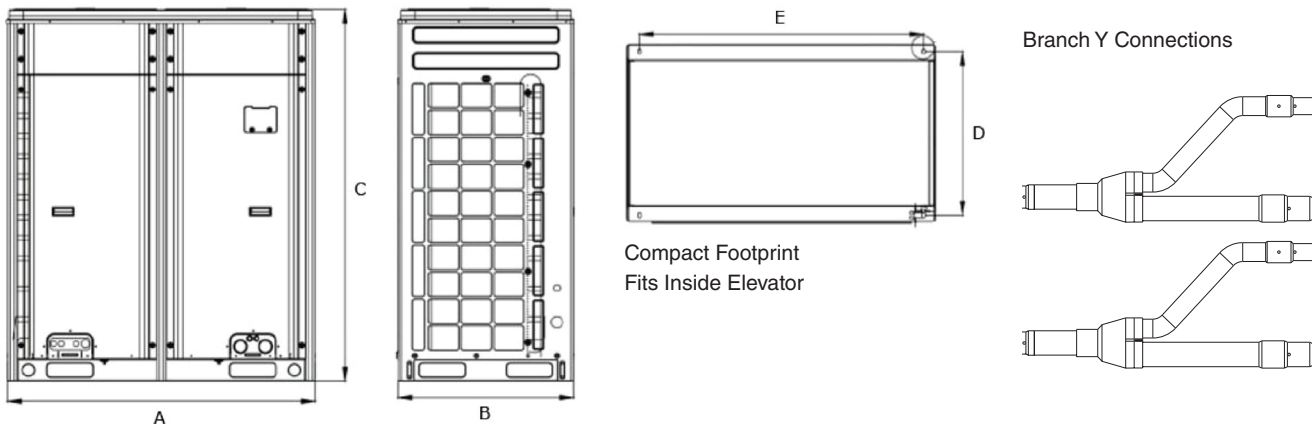


Model	Unit	A	B	C	D	E
VRFO-36HP-S2B(55)5	mm	900	340	1345	572	378
VRFO-48HP-S2B(55)5	inches	35 3/8	13 3/8	53	22 1/2	14 7/8



Solar Series Heat Pump - Modular

Model	Unit	VRFO-72VP-S2C(55)5	VRFO-96VP-S2C(55)5
Cooling Capacity	kW	21.1	28.1
Cooling Capacity	Btu/h	72,000	96,000
Heating Capacity	kW	23.7	31.6
Heating Capacity	Btu/h	81,000	108,000
Heating Capacities at Different OD Ambient Temperatures	47 ° F	100% / 81,000	100% / 108,000
	17 ° F	100% / 81,000	100% / 108,000
	-4 ° F	100% / 81,000	100% / 108,000
	-22 ° F	80% / 64,800	80% / 86,400
Air flow volume	m³/h	14000	14000
	CFM	8240	8240
Sound Pressure Level	dB	61	62
Power Supply	V/Ø/Hz	208~230/3/60	208~230/3/60
MCA	A	40	45
MOP	A	60	70
Gas pipe	mm	9.52	9.52
	inch	3/8	3/8
Liquid Pipe	mm	22.2	22.2
	inch	7/8	7/8
Connection Method	-	Brazing	Brazing
Refrigerant	-	R410A	R410A
Compressor Manufacturer	-	GREE	GREE
Compressor Type	-	Rotary	Rotary
Compressor Quantity	No.	2	2
Motor Type	-	Permanent Magnet Synchronous Motor	Permanent Magnet Synchronous Motor
Fan Quantity	-	2	2
IEER	-	23.1	22.4
Capacity Adjustment Range	%~%	12%~100%	11%~100%
Maximum No. of IDU	units	15	20
Max. Equivalent Connection Pipe Length	feet	541-1/4	541-1/4
Condenser Fin Color	-	Gold	Gold
Cooling Operation Ambient Temp. Range	° F	14 ~ 126°	14 ~ 126°
Heating Operation Ambient Temp. Range	° F	-22 ~75°	-22 ~75°
Refrigerant Charge	oz	387.2	464
Unit Dimensions (WxHxD)	mm	1340 x 1605 x 765	1340 x 1605 x 765
	inch	52 3/4 x 63 x 30 1/8	52 3/4 x 63 1/4 x 30 1/8
Net Weight	kg	308	312
	lbs	680	688
Low Ambient Cooling Function		YES	YES
Maximum Number of Solar Panels @ 300W	Pcs	24	32



Compact Footprint
Fits Inside Elevator

Model	Unit	A	B	C	D	E
VRFO-72VP-S2C(55)5	mm	1240	602	649	727	370
VRFO-96VP-S2C(55)5	inches	48 7/8	23 3/4	25 1/2	28 5/8	14 5/8



Ultra Heating

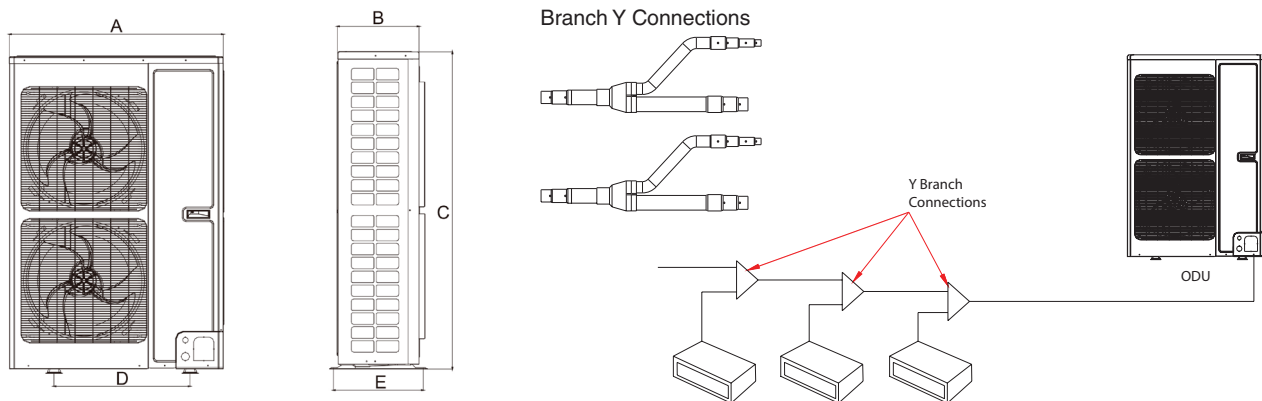


A VRF SYSTEM THAT STANDS ALONE

YMGI's UltraHeating VRF systems are designed to deliver comfort year round. Effective in a wide range of outdoor ambient temperatures (as low as -22° F), the YMGI UltraHeating VRF systems can meet all your heating and cooling needs, with no need for a supplemental heating system. A YMGI VRF system can replace traditionally designed gas furnace and AC/HP coil & outdoor unit systems. YMGI UltraHeating VRF systems save money on installation and operation.

Ultra Heating Heat Pump - Mini

Model	Unit	VRFO-36HP-U2B(55)5	VRFO-48HP-U2B(55)5
Cooling Capacity	Btu/h	36,000	48,000
Heating Capacity	Btu/h	45,000	54,000
Air flow volume	CFM	3531	3531
Heating Capacities at Different OD Ambient Temperatures	47 ° F	100% / 45,000	100% / 54,000
	17 ° F	100% / 45,000	100% / 54,000
	-4 ° F	100% / 45,000	100% / 54,000
	-22 ° F	80% / 36,000	80% / 43,200
Sound Pressure Level	dB	56	57
Power Supply	V/Ø/Hz	208~230/1/60	208~230/1/60
MCA	A	37	37
MOP	A	50	50
Liquid pipe	mm	9.52	9.52
	inch	3/8	3/8
Gas Pipe	mm	15.9	15.9
	inch	5/8	5/8
Connection Method	-	Flare Connection	Flare Connection
Refrigerant	-	R410A	R410A
Compressor Manufacturer	-	GREE	GREE
Compressor Type	-	Two-stage Variable Frequency Rotary	Two-stage Variable Frequency Rotary
Compressor Quantity	No.	1	1
Motor Type	-	INVERTER	INVERTER
Fan Quantity	-	2	2
SEER (Ducted/Ductless IDUs)	-	20/16	20/16
Capacity Adjustment Range	%~%	15~100	15~100
Maximum drive IDU NO.	unit	5	7
Max. Equivalent Connection Pipe Length	feet	393.7	393.7
Condenser Fin Color	-	Golden	Golden
Cooling Operation Ambient Temperature Range	° F	23 ~ 118	23 ~ 118
Heating Operation Ambient Temperature Range	° F	-22 ~ 80.6	-22 ~ 80.6
Refrigerant Charge	oz	229.3	229.3
Unit Dimensions (WxHxD)	mm	900 x 1345 x 340	900 x 1345 x 340
	inch	35 3/8 x 53 x 13 3/8	35 3/8 x 53 x 13 3/8
Net Weight	kg	134.4	134.4
	lbs	296.4	296.4
Low Ambient Cooling Function	-	YES	YES
Base Pan Heater	-	YES	YES

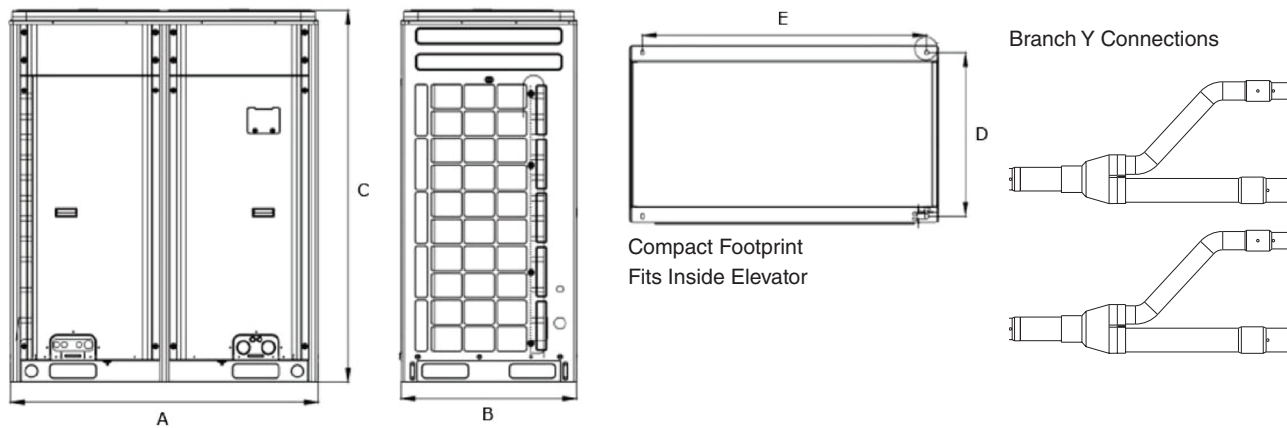


Model	Unit	A	B	C	D	E
VRFO-36HP-U2B(55)5	mm	900	340	1345	572	378
VRFO-48HP-U2B(55)5	inches	35 3/8	13 3/8	53	22 1/2	15



Ultra Heating Heat Pump - Modular

Model	Unit	VRFO-72VP-U3C(55)5	VRFO-96VP-U3C(55)5
Cooling Capacity	kBtu/h	72,000	96,000
Heating Capacity	kBtu/h	81,000	108,000
Air flow volume	CFM	8240	8240
Heating Capacities at Different OD Ambient Temperatures	47 ° F	100% / 81,000	100% / 108,000
	17 ° F	100% / 81,000	100% / 108,000
	-4 ° F	100% / 81,000	100% / 108,000
	-22 ° F	80% / 64,800	80% / 86,400
Sound Pressure Level	dB	61	62
Power Supply	V/∅/Hz	208~230/3/60	208~230/3/60
MCA	A	40	45
MOP	A	60	70
Liquid pipe	mm	9.52	9.52
	inch	3/8	3/8
Gas Pipe	mm	22.2	22.2
	inch	7/8	7/8
Connection Method	-	Brazing	Brazing
Refrigerant	-	R410A	R410A
Compressor Manufacturer	-	GREE	GREE
Compressor Type	-	Rotary	Rotary
Compressor Quantity	No.	2	2
Motor Type	-	Permanent Magnet Synchronous Motor	Permanent Magnet Synchronous Motor
Fan Quantity	-	2	2
SEER	-	23.1	22.4
Capacity Adjustment Range	%~%	12%~100%	11%~100%
Maximum No. of drive IDU	units	15	20
Max. Equivalent Connection Pipe Length	feet	541-1/4	541-1/4
Condenser Fin Color	-	Gold	Gold
Cooling Operation Ambient Temperature Range	° F	14 ~ 126	14 ~ 126
Heating Operation Ambient Temperature Range	° F	-22 ~75	-22 ~75
Refrigerant Charge	oz	387.2	464
Unit Dimensions (WxHxD)	mm	1340 x 1605 x 765	1340 x 1605 x 765
	inch	52 3/4 x 63 x 30 1/8	52 3/4 x 63 1/4 x 30 1/8
Net Weight	kg	308	312
	lbs	680	688
Low Ambient Cooling Function	-	YES	YES
Base Pan Heater	-	YES	YES



Model	Unit	A	B	C	D	E
VRFO-72VP-U3C(55)5	mm	1240	602	649	727	370
VRFO-96VP-U3C(55)5	inches	48 7/8	23 3/4	25 1/2	28 5/8	14 5/8



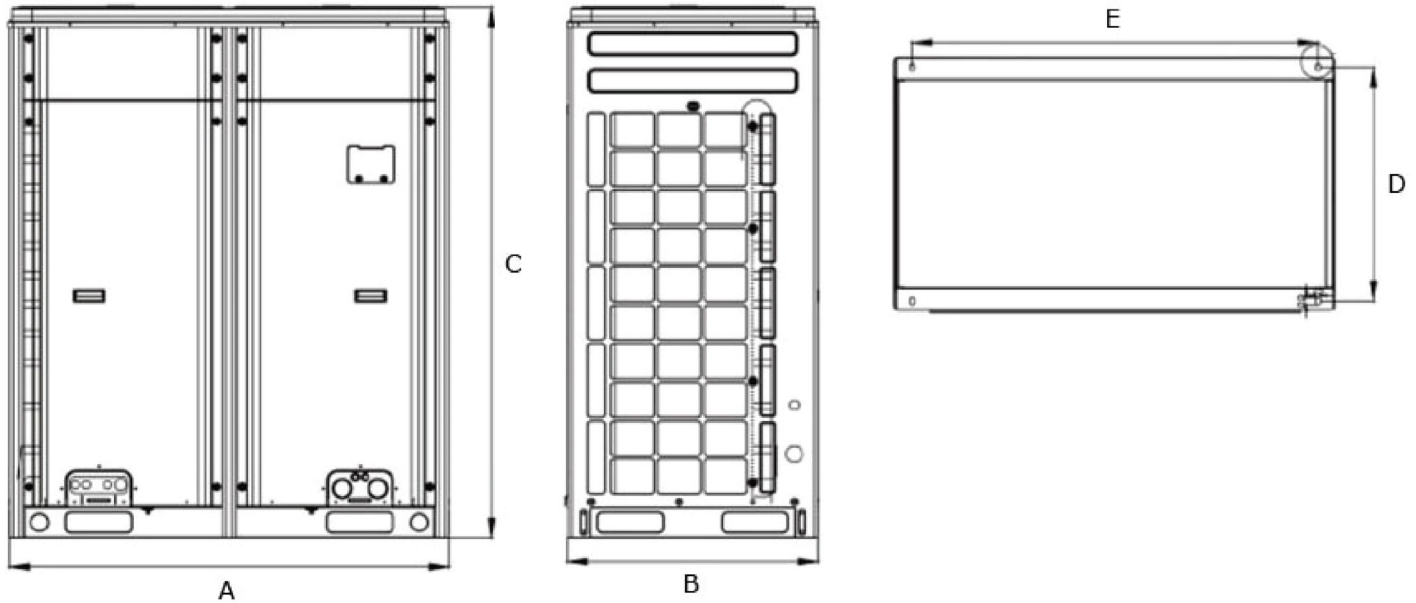
Heat Recovery



A VRF SYSTEM THAT IS EFFICIENT AND FLEXIBLE

YMGI's Heat Recovery VRF systems are designed to deliver comfort year round. With YMGI's Heat Recovery VRF System, you can use the same system to simultaneously heat and cool multiple rooms. Replace traditionally designed gas furnace and AC/HP coil & outdoor unit systems. YMGI Heat Recovery VRF systems save money on installation and operation.

Heat Recovery - Modular



Model	Unit	VRFO-72VR-V3C(55)5	VRFO-96VR-V3C(55)5	VRFO-120VR-V3C(55)5
Capacity Range	Ton	6	8	10
Cooling Capacity	kBtu/h	72,000	96,000	120,000
Heating Capacity	kBtu/h	81,000	108,000	135,000
Air flow volume	CFM	8240	8240	8240
Power Supply	V/Ø/Hz	208~230/3/60	208~230/3/60	208~230/3/60
MCA	A	35	39	74
MOP	A	50	60	100
Maximum No. if Connected IDU	-	12	16	20
Refrigerant Charge Volume	lbs.	21.2	24.7	26.0
Sound Pressure Level	dB(A)	61	61	63
Liquid Pipe	In.	Ø 3/8	Ø 3/8	Ø 1/2
Gas Pipe Low Pressure	In.	Ø 3/4	Ø 7/8	Ø 1 1/8
Gas Pipe High Pressure	In.	Ø 5/8	Ø 3/4	Ø 7/8
Unit Dimensions (WxHxD)	In.	52 3/4 x 30 1/8 x 63 1/5	52 3/4 x 30 1/8 x 63 1/5	52 3/4 x 30 1/8 x 63 1/5
	In.	56 x 33 x 69 7/8	56 x 33 x 69 7/8	56 x 33 x 69 7/8
Net Unit Weight	lbs	683	683	794
Net Shipping Weight	lbs.	716	716	827
Loading Quantity 40'GP	set	16	16	16
Loading Quantity 40'HQ	set	16	16	16
Base Pan Heater	-	YES	YES	YES

Model	Unit	A	B	C	D	E
VRFO-72VR-V3C(55)5	mm inches	1240	602	649	727	370
VRFO-96VR-V3C(55)5		48 7/8	23 3/4	25 1/2	28 5/8	14 5/8
VRFO-120VR-V3C(55)5						

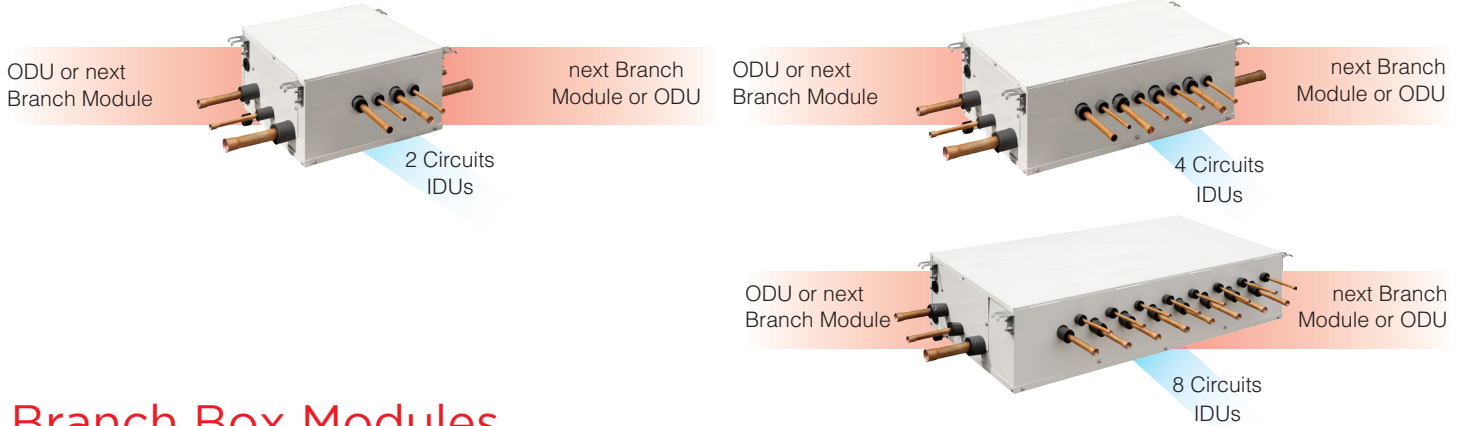


Heat Recovery - Modular Unit Branch Box Modules

Single Direction Branch Box Modules



Dual Direction Branch Box Modules



Branch Box Modules

Model	Unit	VRFI-Bcon11-V2B(55)5	VRFI-Bcon14-V2B(55)5	VRFI-Bcon18-V2B(55)5
Max IDU Branches	-	1	4	8
No. of Connectable IDU of each Branch	-	8	8	8
Max. Capacity of each Branch	Btu/h	48000	48000	48000
Max Capacity of connectable IDU	Btu/h	48000	153000	232000
Power Supply	V/∅/Hz	208~230/1/60	208~230/1/60	208~230/1/60
Power Consumption	W	8	44	80
Maximum No. of Connected IDU	units	8	32	64
Liquid Outdoor Piping Connection	In.	∅ 3/8	∅ 1/2	∅ 5/8
Gas (Low Press.) Outdoor Piping Connection	In.	∅ 7/8	∅ 1 1/8	∅ 1 1/8
Gas (High Press.) Outdoor Piping Connection	In.	∅ 5/8	∅ 3/4	∅ 3/4
Liquid Indoor Piping Connection	In.	∅ 3/8	∅ 3/8	∅ 3/8
Gas Indoor Piping Connection	In.	∅ 5/8	∅ 5/8	∅ 5/8

Piping parameters of VRF ODUs

	Mini VRF Systems				Modular VRF Systems			
	Allowable value		Fitting pipe	Allowable value		Fitting pipe		
	m	f		m	f			
Total length (actual length) of fitting pipe	300	984	L1+L2+L3+a+b+++c+d	≤1000	3280-3/4	L1+L2+L3+L4...+L10+A11+A12+...+D21+D22		
Length of farthest fitting pipe	Actual length	120	394	L1+L2+L3+d	≤165	541 1/4	L	
	Equivalent length	150	492		≤190	623 1/4	—	
From the 1st branch to the farthest indoor pipe	40	131	L2+L3+d	≤40	131 1/4	L12-L11		
Height difference between ODU and IDU	ODU at upper side	50	164	—	≤40	131 1/4	L7+L8+L10+D22	
	ODU at lower side	40	131	—	≤90	295 1/4	—	
Height difference between IDUs	15	49	—	≤30	98 1/2	h1		





**Replace Traditionally Designed
Gas Furnace + AC/HP Coil & Outdoor Unit Systems**



YMGI Group
601 Arrow Ln, O'Fallon, MO 63366
www.ymgigroup.com

P: 866-833-3138 • F: 866-377-3355 • info@ymgigroup.com

© 2017 YMGI Group. Product specifications are subject to change without notice.

